

Product Information

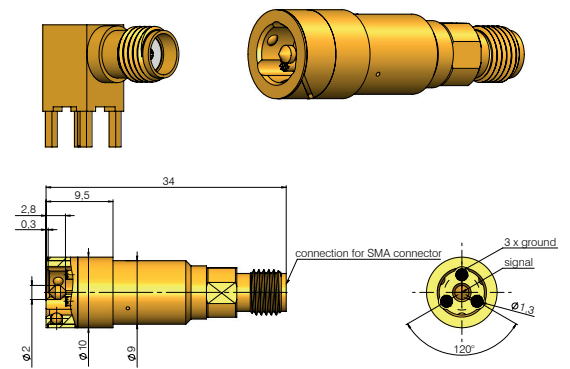
HFS-ADA-QSMA-M-SMA-F

Quick connector for SMA connectors

The newly developed SMA quick connector **HFS-ADA-QSMA-M-SMA-F** enables easy, reliable plug connections within seconds. The design means it can be connected without tools and even in the most limited space. Frequencies up to 12 GHz can be securely transmitted.

The quick connector centres itself as it connects with the SMA plug connector. A secure contact is first made with the outer conductor and then with the inner conductor.

The SMA quick connector HFS-ADA-QSMA-M-SMA-F is wired to a SMA plug. A flexible RF connector cable is recommended to avoid unwanted side forces.



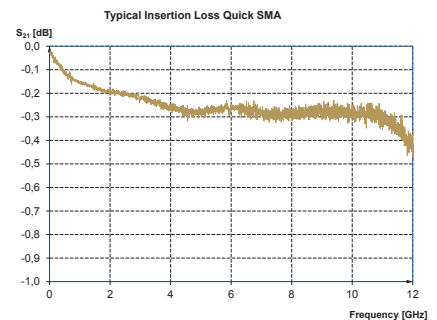
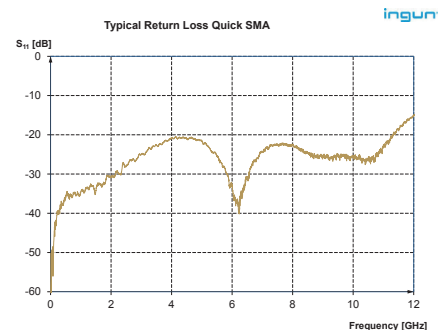
HFS-ADA-QSMA-M-SMA-F

Technical Information:

Product name:	HFS-ADA-QSMA-M-SMA-F
Grid:	≥ 11 mm (430 Mil)
Frequency range:	up to 12 GHz
Impedance:	50 Ohm
Spring force, inner conductor (working stroke):	1 N
Spring force, outer conductor (working stroke):	1.5 N (3 x 0.5 N)
Engagement force:	15 N
Disengagement force:	12 N
Temperature range:	-40° to +80° C

Ordering information:

HFS-ADA-QSMA-M-SMA-F



S₁₁ and S₂₁ parameter

Prices and delivery time on request.
 Technical changes possible without prior notification.

Further innovative products can be found on our homepage and in our RF catalogue. Don't miss our solutions for plug connectors contacting.

